

Shaded Pole Unit Bearing Totally Enclosed

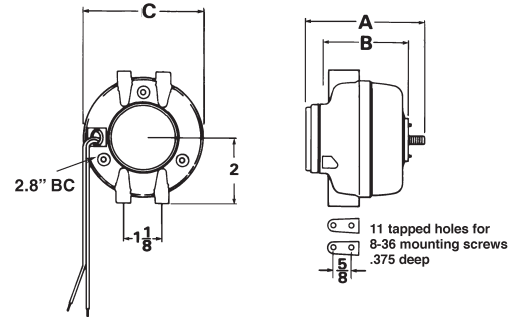


APPLICATIONS:

Evaporator or condenser fan motors to meet manufacturer's requirements for refrigerated display cases and vending machines.

FEATURES:

- Permanently Lubricated Bearings
- Individually Boxed
- Impedance Protected
- 6W & Under Are 60/50 Hertz Rated
- Suitable For All Angle Operation
- 24" Cord With Molded Strain Relief
- Cast Iron Housing
- Includes Vibration Dampener Hub Washer, Speed Nut, 4 Mounting Screws (2 to 35 watt)
- **Discount Symbol: DS-3HAC**



HP	RPM	Voltage	Catalog Number	List	Amps	Shaft Rotation	Total A	Total B	Dia. C	Shaft Dia. & Length	Ship Wt. (lbs)	Industry Number
2.5 W	1550	115	2102	\$46	0.3	CWLE	3.8	3.4	3.6	1/4 x 20THD x 0.5	3	5111
4 W	1550	115	2115	\$49	0.3	CWLE	3.8	3.4	3.6	1/4 x 20THD x 0.5	3	5211
	1550	115	2103	\$49	0.3	CCWLE	3.8	3.4	3.6	1/4 x 20THD x 0.5	3	5212
	1550	230	2122	\$50	0.2	CCWLE	3.8	3.4	3.6	1/4 x 20THD x 0.5	3	5222
	1550	230	2123	\$71	0.2	CWLE	3.8	3.4	3.6	1/4 x 20THD x 0.5	3	5221
5 W	1550	115	2119	\$67	0.6	CWLE	3.8	3.4	3.6	1/4 x 20THD x 0.5	9	PP7577M, D582
	1550	115	2120	\$67	0.6	CCWLE	3.8	3.4	3.6	1/4 x 20THD x 0.5	3	D583
6 W	1550	115	2116	\$50	0.4	CCWLE	4.3	3.8	3.6	1/4 x 20THD x 0.5	3	5312
	1550	115	2117	\$50	0.4	CWLE	4.3	3.8	3.6	1/4 x 20THD x 0.5	3	5311
9 W	1550	115	2118	\$51	0.6	CCWLE	4.3	3.8	3.6	1/4 x 20THD x 0.5	4	5412
	1550	115	2108	\$51	0.6	CWLE	4.3	3.8	3.6	1/4 x 20THD x 0.5	3	5411
	1550	230	2109	\$56	0.3	CCWLE	4.3	3.8	3.6	1/4 x 20THD x 0.5	3	5422
	1550	230	2110	\$56	0.3	CWLE	4.3	3.8	3.6	1/4 x 20THD x 0.5	5	5421
16 W	1550	115	2111	\$71	1	CCWLE	4.5	4.1	3.6	1/4 x 20THD x 0.5	4	5812
	1550	230	2114	\$72	0.5	CWLE	4.5	4.1	3.6	1/4 x 20THD x 0.5	5	5821
	1550	230	2113	\$72	0.5	CCWLE	4.5	4.1	3.6	1/4 x 20THD x 0.5	5	5822
	1550	115	2112	\$71	1	CWLE	4.5	4.1	3.6	1/4 x 20THD x 0.5	4	5811
25 W	1550	115	2124	\$158	1.1	CCWLE	4.5	4	3.9	1/4 x 20THD x 0.5	5	ESPL25EMR1
	1550	115	2125	\$158	1.1	CWLE	4.5	4	3.9	1/4 x 20THD x 0.5	5	ESPL25EM1
	1550	230	2126	\$163	0.6	CWLE	4.5	4	3.9	1/4 x 20THD x 0.5	5	ESPL25EM2
	1550	230	2127	\$163	0.6	CCWLE	4.5	4	3.9	1/4 x 20THD x 0.5	5	ESPL25EMR2
35 W	1550	115	2128	\$158	1.4	CCWLE	4.5	4	3.9	1/4 x 20THD x 0.5	5	ESPL35EMR1
	1550	115	2129	\$158	1.4	CWLE	4.5	4	3.9	1/4 x 20THD x 0.5	5	ESPL35EM1
	1550	230	2130	\$163	0.7	CCWLE	4.5	4	3.9	1/4 x 20THD x 0.5	5	ESPL35EMR2
	1550	230	2131	\$163	0.7	CWLE	4.5	4	3.9	1/4 x 20THD x 0.5	5	ESPL35EM2
50 W	1550	115	2132	\$182	1.7	CCWLE	6.2	4.7	4	.375 x 1.5	6	ESPOL50EMR1
	1550	115	2133	\$176	1.7	CWLE	7.2	5.7	4	.375 x 1.5	6	ESPOL50EM1
	1550	230	2134	\$182	0.9	CCWLE	8.2	6.7	4	.375 x 1.5	6	ESPOL50EMR2
	1550	230	2135	\$182	0.9	CWLE	9.2	7.7	4	.375 x 1.5	7	ESPOL50EM2

† All marks shown within this document are properties of their respective owners.



BRAKEMOTORS
GENERAL PURPOSE SINGLE PHASE
HVAC
WASHDOWN
AGRICULTURE
COMMERCIAL PUMP MOTORS
CLOSE COUPLED PUMP MOTORS
FIRE PUMP MOTORS
POOL & SPA MOTORS
RESIDENTIAL WATER PUMP
ELEVATOR GATE & DOOR
VARIABLE SPEED MOTORS AND DRIVES