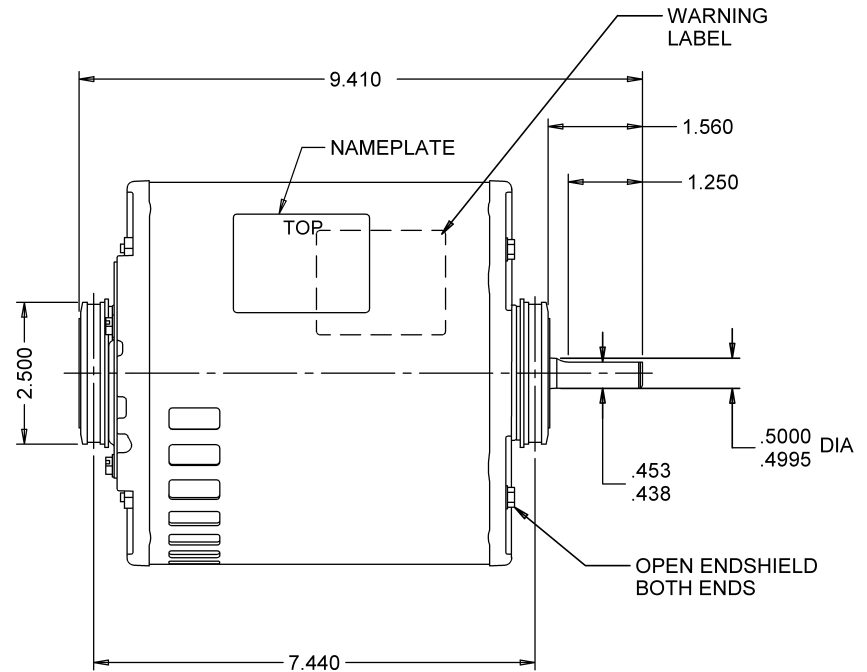
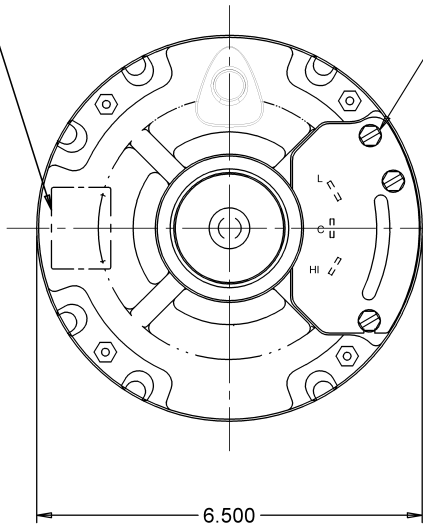


AUTOMATIC
THERMAL
PROTECTOR

GREEN
GROUND
SCREW



CONNECTIONS

L LOW SPEED

C COMMON

H HIGH SPEED

MOTOR IS NON-REVERSIBLE
CW. ROTATION SHAFT END.

BALL BEARING

| MODEL | REF | CUSTOMER | HP | VOLTS | AMPS | HZ | RPM | ROTATION | CUSTOMER PN | | |
|---|-----------|-------------------------------|---------------------------|-------|---------------------------------|--|-------------------------|--------------|-------------------------|--------------------|-----------|
| S63NTSSE-8079 | | STANDARD | 1/3 / 1/9 | 115 | 5.5/3.9 | 60 | 1725/1140 | CCW LEAD END | 6767 | | |
| SHEET NUMBER 1 OF 1 | REV -- | REVISION RECORD FOR: C3509-00 | | | | INFORMATION DISCLOSED ON THIS DOCUMENT IS CONSIDERED PROPRIETARY AND SHALL NOT BE REPRODUCED OR DISCLOSED WITHOUT WRITTEN CONSENT OF NIDEC MOTOR CORPORATION | | | NIDEC MOTOR CORPORATION | | |
| NEW DRAWING CREATED | | | | | | | | | | | |
| REVISION DATE 22-SEP-11 | | | | | | | | | | | |
| ALL DIMENSIONS ARE FOR REFERENCE ONLY UNLESS TOLERANCE IS GIVEN | | | | | | | | | | | |
| ISSUED BY L.GARZA | | | REVIEWED BY C.ROESSLER | | ENGINEER APPROVED C.ROESSLER | | TITLE ASSEMBLED VIEW | | CODE V01 | ITEM NO. 789035 | SIZE B |

NIDEC MOTOR CORPORATION 06-Oct-11

V01_NMC9 (MAR-2011)

SOLIDEDGE